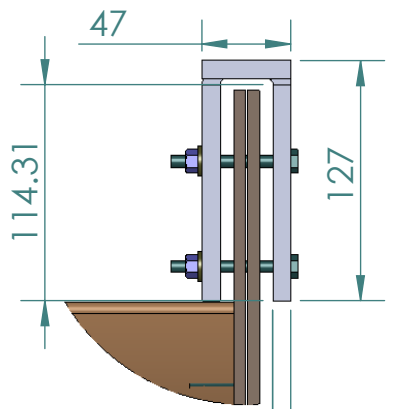


SUPPORT AU MUR
ALUM. 9.5mm

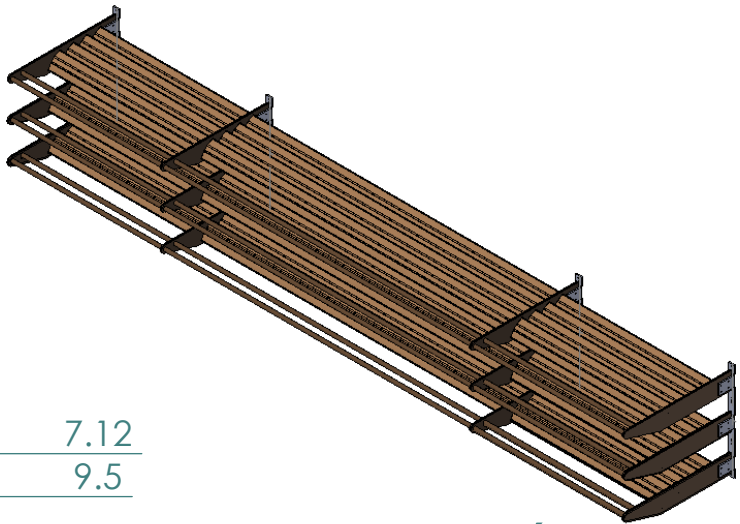
PLAQUE SUPPORT
ALUM. 6.35mm

PLAQUE FINITION
SANS TROU

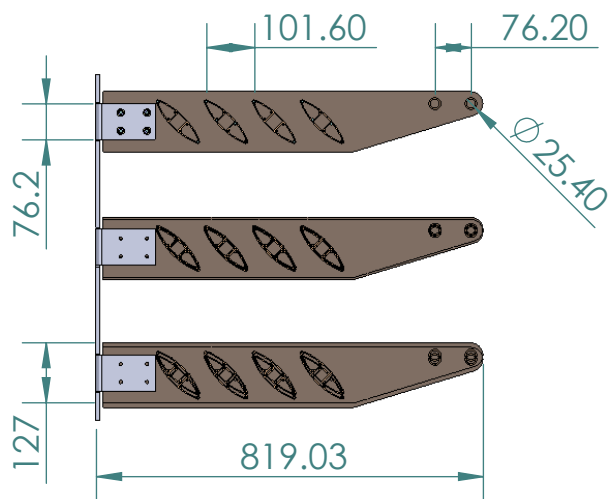
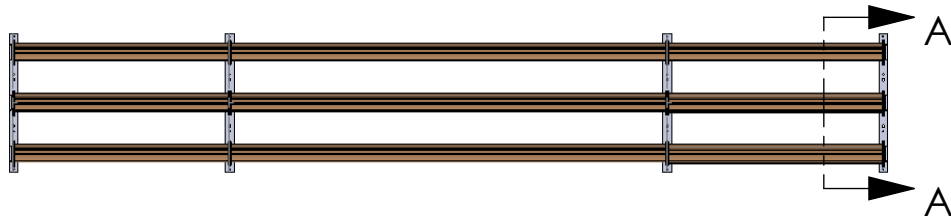


DÉTAIL AY

7.12
9.5



ISOMÉTRIE



COUPE A-A

