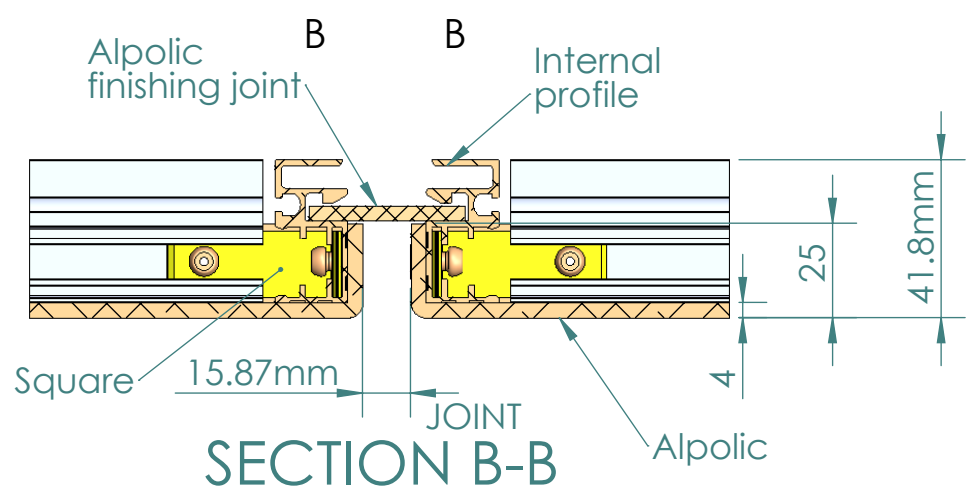
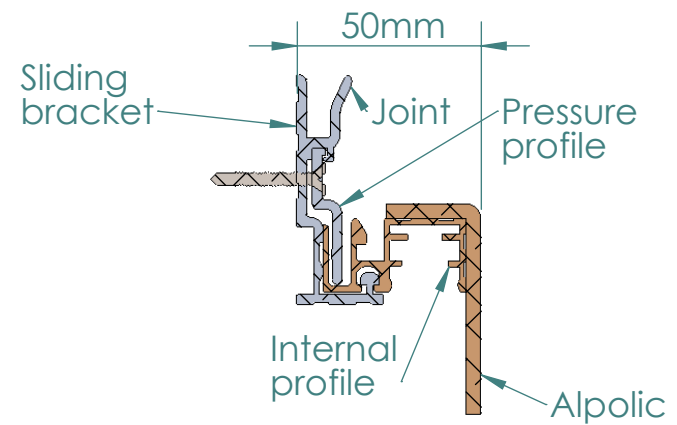


ISOMETRIC



SECTION B-B



SECTION D-D